

REVISION DATA		
REV	DESCRIPTION	DATE
A0	NEW DRAWING	16-4-19

Technical Data

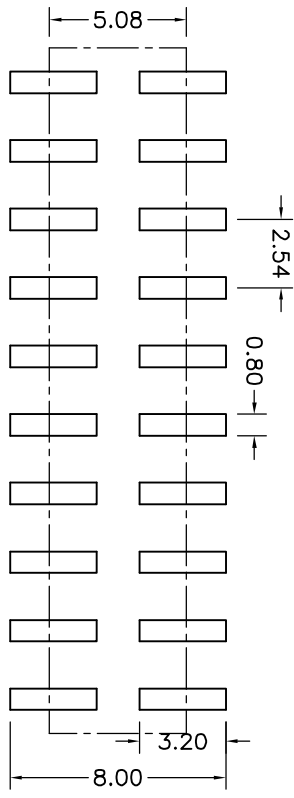
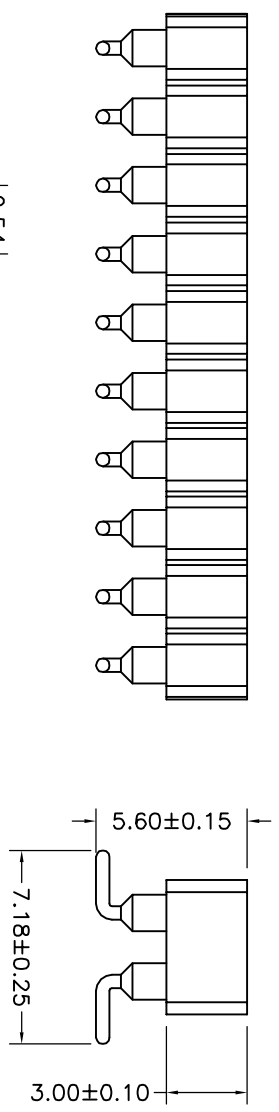
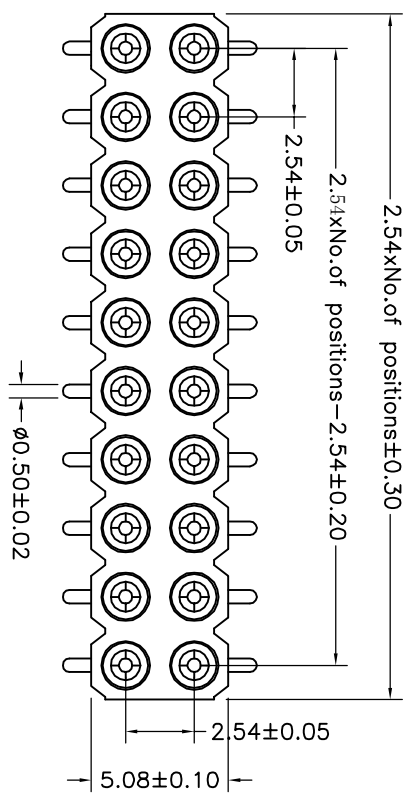
Material: Pin(outer sleeve):Brass, machined CuZn38Pb2
 Plating(outer sleeve):
 Tin Plated:2μm/80μm²Ni, 5μm/200μ²Sn
 Gold Plated:2μm²/80μm²Ni, 0.8μ² gold
 Plating(Contact):2μm/80μ²Ni, gold or Tin plated
 Insulator:PPS UL94V-0
 Clip(Contact 4 Flinger):Beryllium copper, heat teated

Electrical:

Current rating:3Amps/contact max.
 Contact resistance:≤4mΩ/contact
 Insulation resistance:≥1000MΩ at V=100V
 Dielectric Withstanding Voltage:1000V AV Min
 Operating voltage:60VAC/DC

Mechanical:

Average Insertion force with steel pin of ∅0.66mm/0.38": <250g
 Average withdrawal force with steel pin of ∅0.66mm/0.38": <70g
 Mechanical life cycle:min 200
 Operating temperature:-40° C to+105° C
 Soldering temperature:+255° C



P.C.B LAYOUT

Q2T	X	X	-	X	XX	XX	XX	XXXX	X
Pitch(mm) A=1.27 B=1.78 C=2.00 D=2.54	Insulator_Type code 1=Single row 2=Double row 3=Three row	Angel Options D=180° R=90° S=SMT I=IC	No. of Positions XX positions	Pin plated T1=Tin 150u" T2=Tin 200u" G1=6/F G2=Gold 3u" G3=Gold 10u" G4=Gold 15u" G5=Gold 30u"	CLIP plated T1=Tin 150u" T2=Tin 200u" G1=6/F G2=Gold 3u" G3=Gold 10u" G4=Gold 15u" G5=Gold 30u"	Pin Length Options 07/3=7.43mm	Specifications A=Public seat B=Female seat		

aztconn 东莞市启之泰电子科技有限公司
 启之泰

TOLERANCE	PROJECTION	TITLE:
X,XXX ±0.05 X,XX ±0.15 X,X ±0.20 X, ±0.30 ANGLE ±5.0°	DATE: 2016-4-19 DRAWN: TANG-S-G CHECKED: APPROVED:	Double socket connector 2.54mm I=7.43mm SMT PART NO: QZTD2-SXXXXX0743B DRAWING NO: 2016041908
REV: A0	UNIT: mm	SCALE: FULL
		SIZE: A4