

Technical Data

Material:

Pin(outer sleeve):Brass,machined CuZn38Pb2

Plating(outer sleeve):

Tin Plated:2 μ m/80 μ m"NI, 5 μ m/200 μ "Sn

Gold Plated:2 μ m"/80 μ m"Ni, 0.8 μ " gold

Insuiator:PPS UL94V-0

Electrical:

Current rating:3Amps/contact max.

Contact resistance: $\leq 4m\Omega$ /contact

Insuiation resistance: $\geq 1000M\Omega$ at V=100V

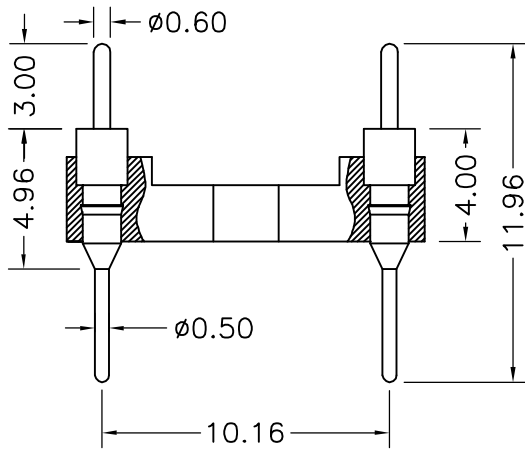
Dleictric Withstanding Voltage:1000V AV Min

Operaling vointage:60VAC/DC

Mechanical:

Operaling temperature:-40 $^{\circ}$ C to+105 $^{\circ}$ C

Soldering temperature:+255 $^{\circ}$ C



Serial number	No. of Positions	PART NO	A	B
12	20	QZTD4-I120XX1196A	25.4	22.86
13	22	QZTD4-I122XX1196A	27.94	25.4
14	24	QZTD4-I124XX1196A	30.48	27.94
15	28	QZTD4-I128XX1196A	35.56	33.02
16	32	QZTD4-I132XX1196A	40.64	38.1

qztconn
启之泰

QZT	X	X	—	X	XX	XX	XXXX	X
Pitch(mm) A=1.27 B=1.778 C=2.00 D=2.54	Dip spcing 0= No 1=1.27mm 2=2.54mm 3=7.62mm 4=10.16mm 5=15.24mm	Angel Options D=180 $^{\circ}$ R=90 $^{\circ}$ S=SMT I1=IC-180度 I2=IC-90度 I3=IC-SMT	No. of Positions XX positions	Pin plated T1=Tin 150u" T2=Tin 200u" G1=G/F G2=Gold 3u" G3=Gold 10u" G4=Gold 15u" G5=Gold 30u"	Pin Length Options 1196=11.96mm	Specifications A=Public seat B=Female seat		